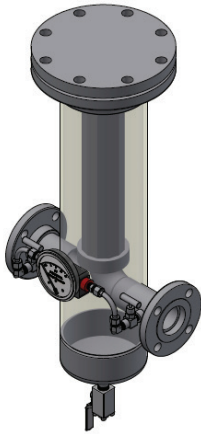
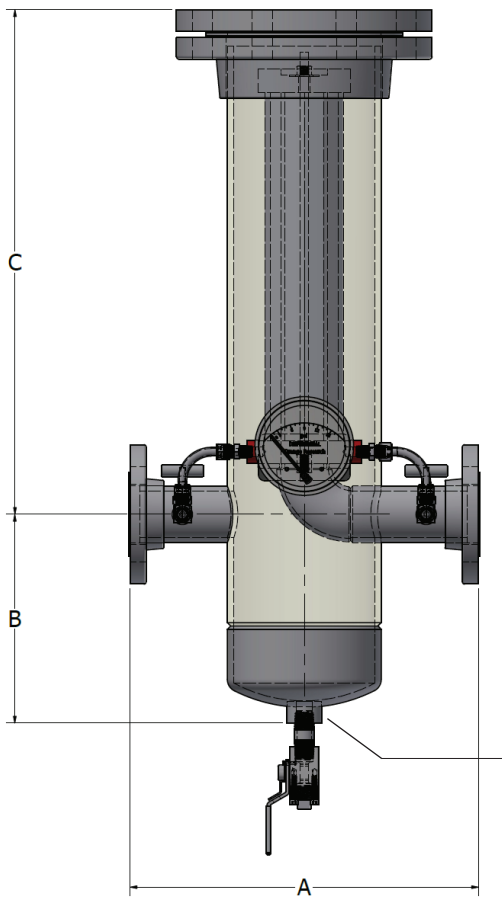




MTD CARBON STEEL FILTERS

ANSI 150, 300 & 600 | 99.5% Retention @ 2-3 Microns



Ships fully assembled and tightened, incl. differential gauge & valves.

1/2" F-NPT drain w/ valve & plug (all sizes)

ISCO's MTD Carbon Steel Filters offer efficient and highly effective protection against fine particulate. Our filter elements capture 99.5% of particles sized 2-3 microns, at a maximum pressure drop of only 0.06 psig. Filter housings are coated with a 3-stage epoxy/urethane process with a minimum build of 12 mils for a lifetime of reliable service. Our API 1104 qualified welders and procedures, NSF certified ISO 9001 program, and robust pressure testing protocols ensure a top-quality product, and peace of mind!

ANSI	A [in]			B [in]			C [in]			Weight (Approx.)		
	150	300	600	150	300	600	150	300	600	150	300	600
2"	15-1/8	15-5/8	16-3/8	9	9	9	21-5/8	21-1/2	21-1/2	150	210	290
3"	18-1/8	18-7/8	19-5/8	10	10	10	27	27	27	200	280	360
4"	19-1/8	19-7/8	21-5/8	11	11	11	28-5/8	28-5/8	28-5/8	260	380	450
6"	23	23-3/4	27-1/8	15	15	15	34	34	34	440	580	720

Particle Retention: 99.5% @ 2-3µm, 99.7% @ 3-4µm, 99.8% @ 4-10µm, 99.9% over 10µm